

PERLA E6

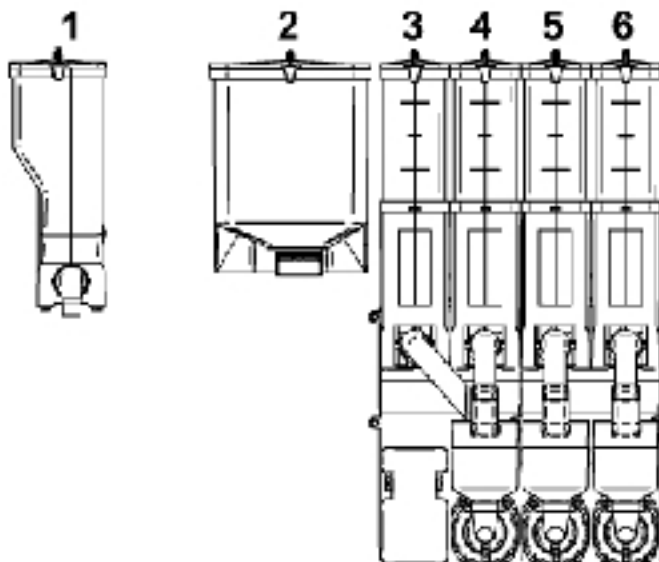


HOT & COLD | Tabletop | PERLA PERLA E6



GENERAL FEATURES

- Fully automatic Table Top 300 cups capacity (art. 166)
- High Impact Design
- Espresso version with new FAS coffee brewer
- Excellent drink quality
- Compact design with space for up to 6 canisters
- Space to fit all types of payment/cashless systems
- Multi-protocol MDB, Executive, BDV
- Boiler pressure 650 cc



Dimensions

HEIGHT
817 mm

WIDTH
520 mm

DEPTH
577 mm

TECHNICAL FEATURES

WEIGHT
60 kg

POWER SUPPLY
230 V - 50 Hz

POWER CONSUMPTION
1560 W